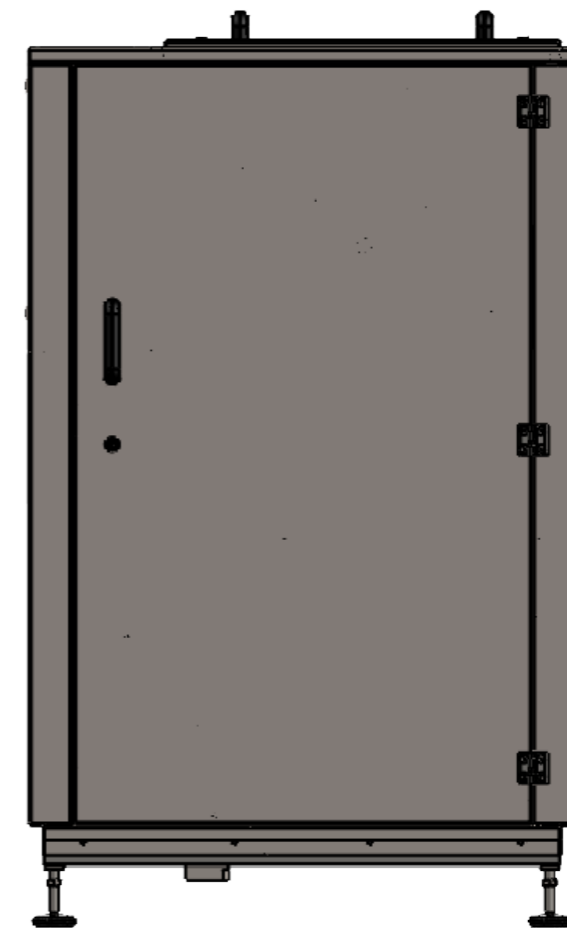
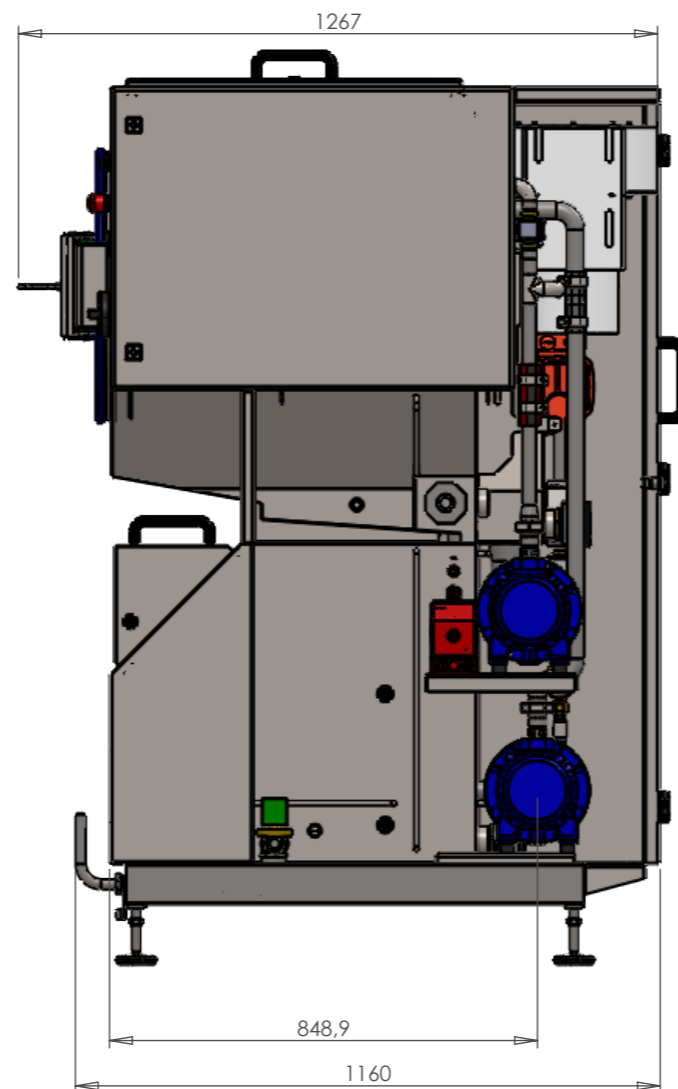
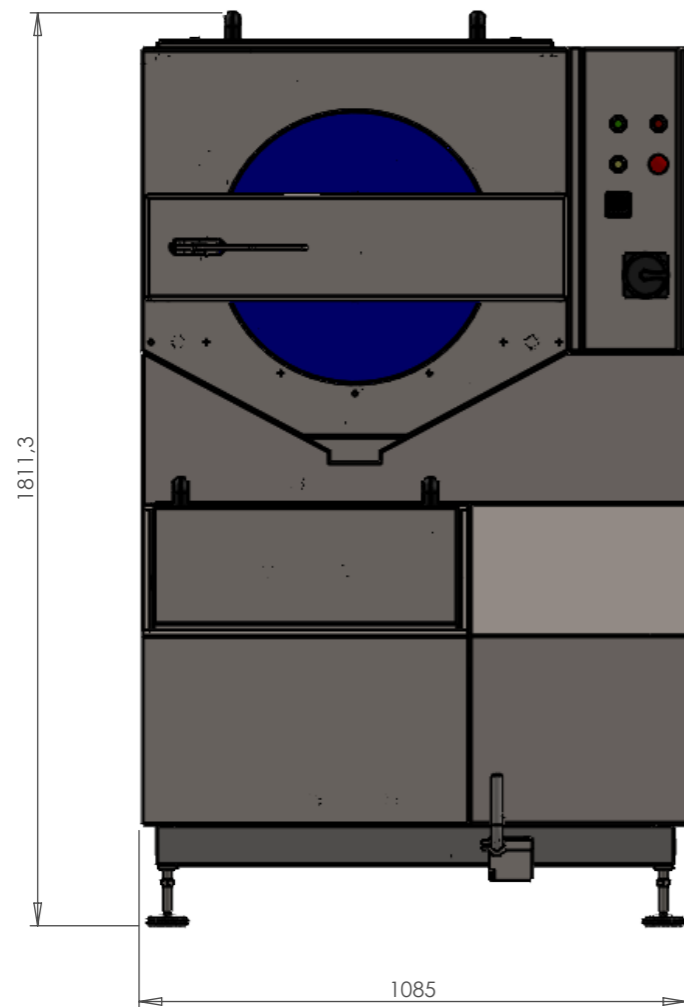



Pay attention! in top view and side view the shutters are hidden, around the drum and the pipework visible.



Customer: Unikon	Description: HW03000		
Project number:			
Date: 24-6-2019	Comment:		
Drawn: C.J. Kleinveld	Amount: 1		
This drawing remains property of UNIKON B.V.		Material:	
Unikon B.V.  Hermesweg 30-A 3771 ND Barneveld Holland Tel: 0031 (0)88-8770500 E-mail: info@unikon.com www.unikon.com	Sheet size: A3	Drawing number: HW03000-200-001	REV: 0
	Scale: 1:15	weight: 635.13	Sheet 2 OF 3